

BAS-556

Automatic Lockstitch Button Sewer



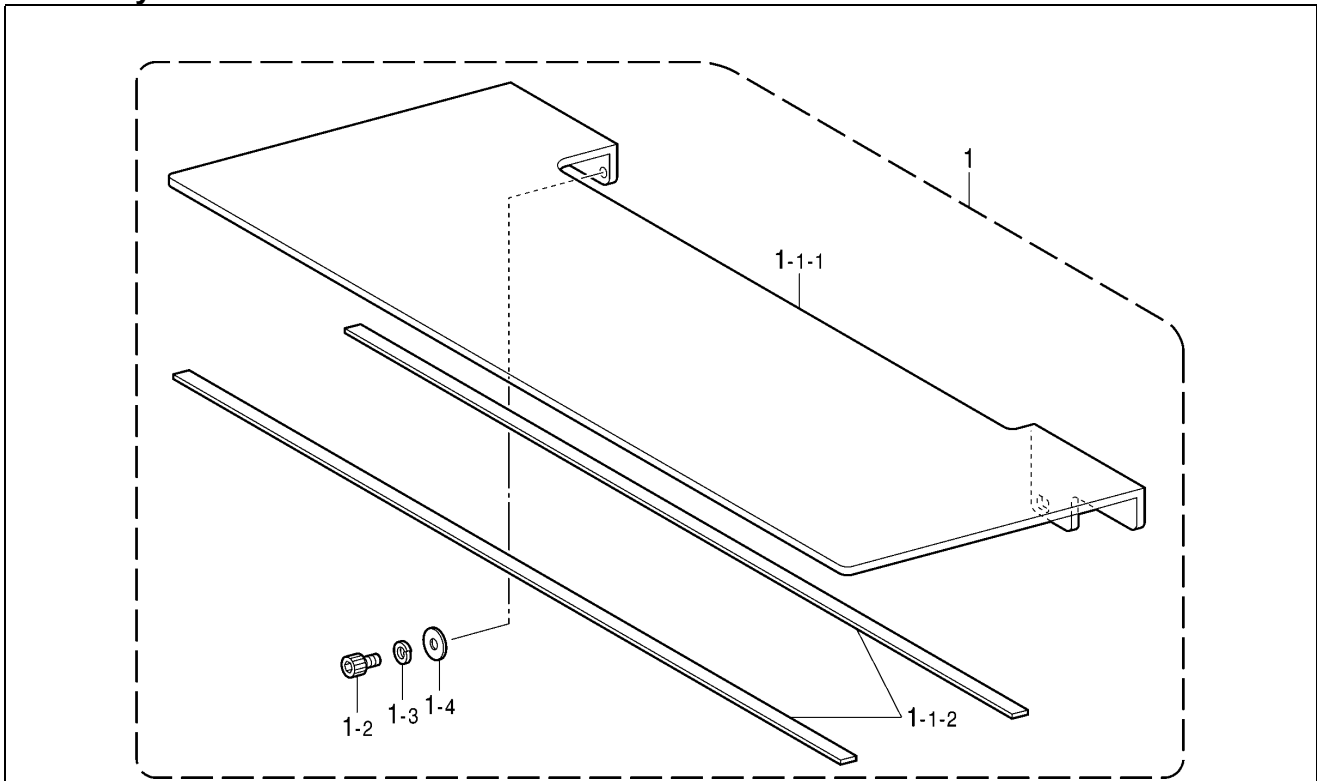
Specifications

Machine head	LK3-B448E Mark II (Electronic lockstitch button sewer)
Max. sewing speed	2,500 rpm
Button diameter	9 - 22 mm
Button thickness	1.8 - 3.5 mm
Button thread hole diameter	1.0, 1.2, 1.5 mm
Feed mechanism	Clamp feeding by DC motor
Height of presser foot	10 mm
No. of stitches	Varies according to the number of stitches
Needle	TQ × 1
Thread	Cotton, spun synthetic (#50 - #80)
Button sewing error detector	Yes
Lower thread counter	Yes
Stacker	Yes
Minimum feeding	1 mm
Button feed time	0.35 sec.
Button loading	Rear loading
Button arrangement	Vibration bowl, front-back discrimination
Individual feeding	Solenoid
Air consumption	23.5 l / min
Machine time	10 sec. (2 holes button, 5 buttons sewing --- No. of stitches: 19, Button interval: 100 mm, Sewing speed: 2,500 rpm)
Power supply	Three phase 220 V, 380 V, 415 V, 500 W
Machine dimensions	2,040 (L) × 927 (W) × 1,700mm (H)

	Size	A	60 - 399 mm
		B	12 - 25 mm
		C	150 - 600 mm (Max. 1,150 mm)
		D	25 - 600 mm
	Type of button	2, 3, 4-hole flat button	
No. of buttons	2 - 20 pcs.		
No. of patterns	20 patterns		

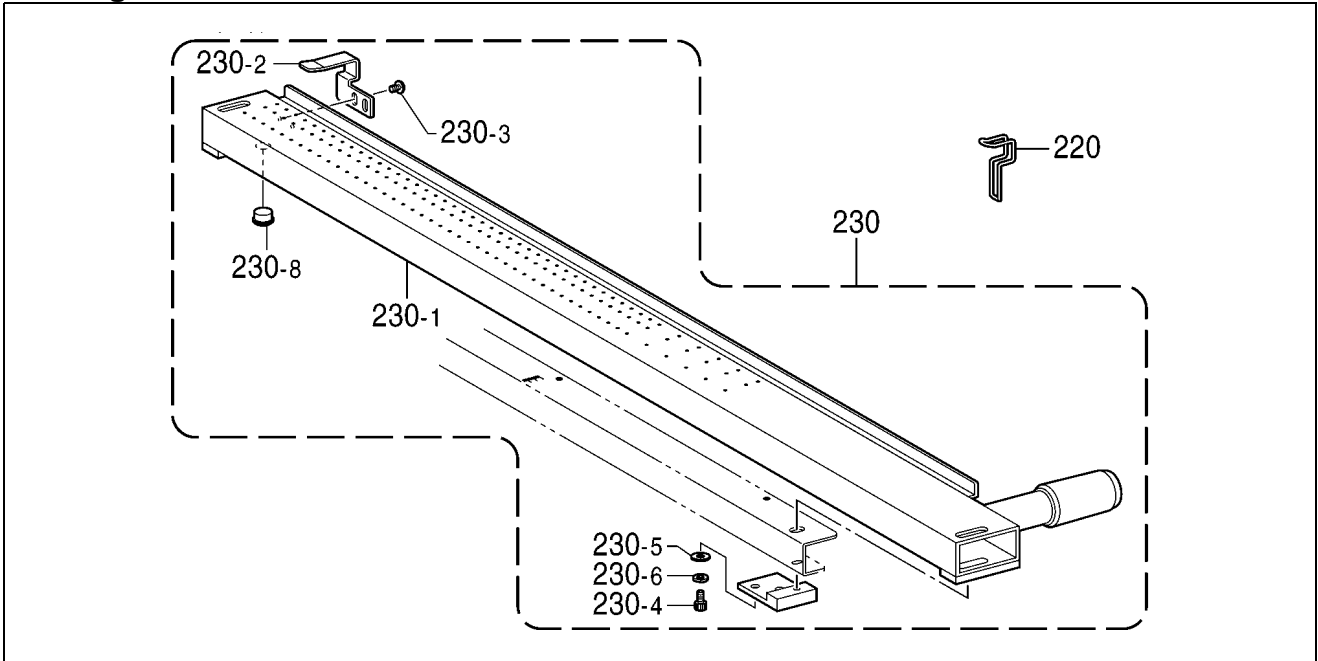
*For gauges, refer to BA-16 "Gauge parts list".

Option Auxiliary feed table set



Ref. No.	Part name	Part code	Q'ty
1	Table set, ;aux.-feed	S49903-009	1
1-1	Table assy, ;aux.-feed	S49871-009	1
1-1-1	Table,;aux.-feed	S49872-009	1
1-1-2	Spacer	S39269-000	2
1-2	Bolt, socket M5 × 8	018500-836	2
1-3	Washer, spring 2-5	028050-246	2
1-4	Washer, plain L5	S20246-001	2

**Option
Cloth guide**



Ref. No.	Part name	Part code	Q'ty
220	Cloth guide, U	S04460-001	1
230	Guide blow assy	S53085-001	1
230-1	Guide blow, B	S53086-001	1
230-2	Cloth guide plate	S13050-000	1
230-3	Screw, truss M4 × 6	008400-604	2
230-4	Bolt, socket M4 × 8	018400-832	2
230-5	Washer, plain M4	025040-232	2
230-6	Washer, spring 2-4	028040-242	2
230-7	Blow support	S13109-001	1
230-8	Rubber cap, 10.5	104821-009	1

*Guide blower components only – The blower motor is not included. If you want to use this cloth guide, please consult your nearby Brother sales office.